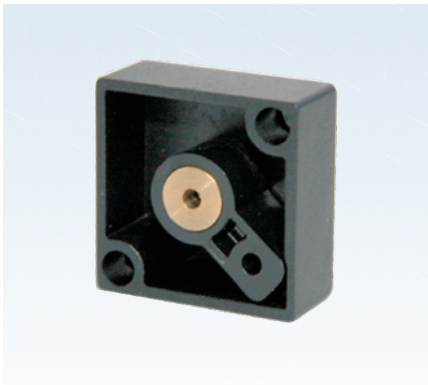


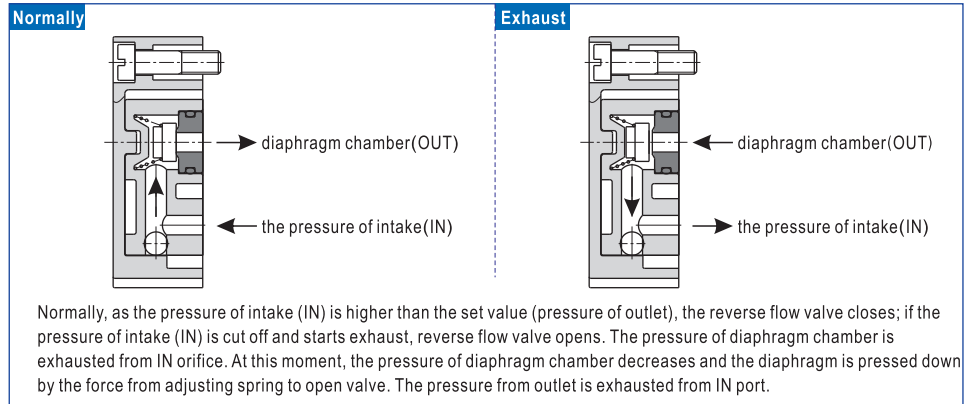
Preparation unit—Reverse Flow valve

GA315 Series



GA315

Working principle



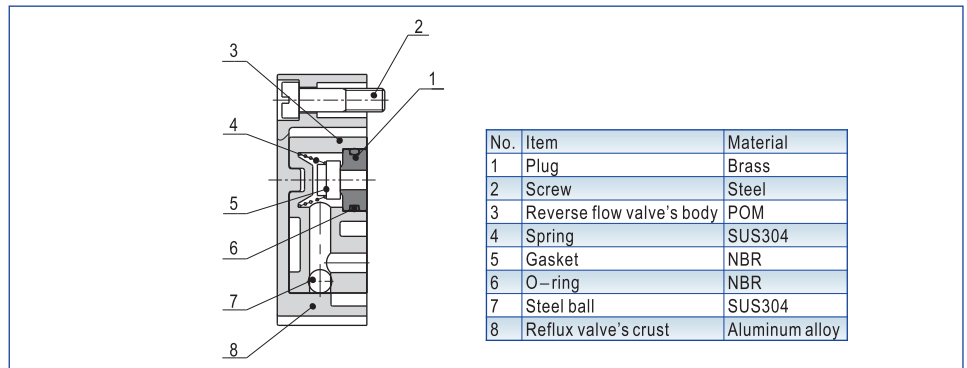
Product feature

1. This reverse flow valve can be used with G series regulator and also can be ordered individually.
2. When it is used with G series regulator, one only needs to change the seal board in the back of regulator for the reverse flow valve. It is convenient to install and won't change the external dimension of regulator.

Applicable products

Reflux valve type	Applicable products 's type
GA315	GC200, 300, 400, 600
	GFC200, 300, 400, 600
	GFR200, 300, 400, 600
	GR200, 300, 400, 600

Inner structure



Ordering code

When G series regulator is assembled with the reverse flow valve, the valve can be ordered together with the standard product. What needs to do is to add "-K" to the end of the ordering code of the standard product. Please refer to relevant content for more detailed order method.

Example for assemble the reflux valve

Take GR300 for example, it is in the same way to use products of other series.

