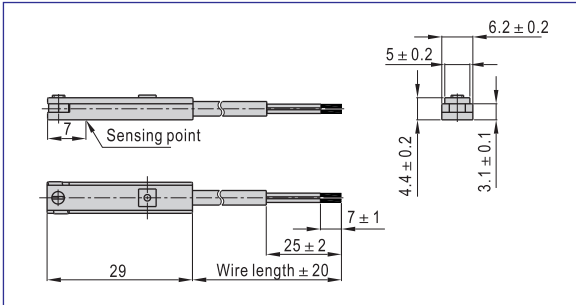




■ Dimensions



■ Specification

Item/Type	DS1-E	DS1-EN	DS1-EP
Switch logic	Transistor without contact, Normally opened type		
Switch type	Two lines type	NPN type	PNP type
Operating voltage(V)	10~28V DC		5~30V DC
Max. Switching current(mA)	50		200
Switching rating(W)	Max. 1.4		Max. 6
Current consumption	12(40)uA Max. @24V		15mA Max. @24V
Voltage drop	2.65V Max. @50mA DC		0.5V Max. @200mA DC
Cable	Φ 2.8,2C Black oil resistant PVC		Φ 3.3,3C Black oil resistant PVC
Indicator	Red LED		
Leakage current	20(90)uA Max. @28V		0.01mA Max.
Sensitivity(Gauss)	25~700		45~55
Max. Frequency(Hz)		1000	
Shock(m/s ²)		500	
Vibration(m/s ²)		90	
Temperature range(°C)		-10~70	
Enclosure classification	IP67(NEMA6)		
Protection circuit	Power reverse polarity, surge suppression		

■ Ordering code

DS1 E N 020

- **Number of sensor switch**
DS1: Sensor switch
- **Specification of sensor switch**

Specification	Product Series
E: E type	Use for SE,ACE series
- **Connecting way** ①

C08: M8 quick joint, length of wire is 150mm
C12: M12 quick joint, length of wire is 150mm
020: length of wire is 2m
030: length of wire is 3m
050: length of wire is 5m
100: length of wire is 10m
- **Model of sensor switch**

Blank: two-line /normally opened
N: three-line NPN with no contact (current flows in) / normally opened
P: three-line PNP with no contact (current flows out) / normally opened

① Note: The quick joint that is attached at the end of wire is three-needle-male joint-linear-rotary screw thread type. The female joint plug has to be ordered additionally. Please refer to P420 for the specific data.

■ Mounting

Installation example	Installation method
	<p>No additional accessories are necessary for the sensor switch of DS1-E (N, P) series. It can be directly fixed onto the groove of the cylinder, which is convenient and fast.</p> <p>1. Adjust the clamping screw on sensor switch. Then slide the sensor switch to the additional slot and adjust it to the proper position and tighten the clamping screw to fix.</p>



Sensor switch