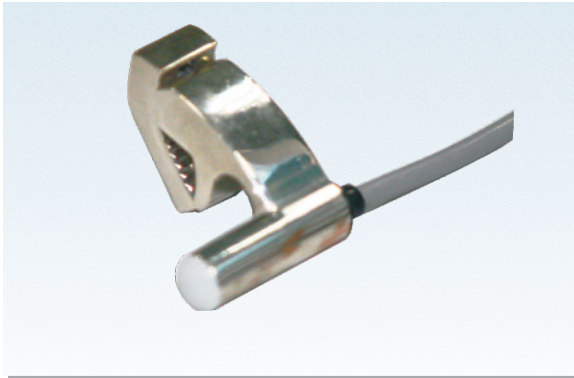


Sensor switch

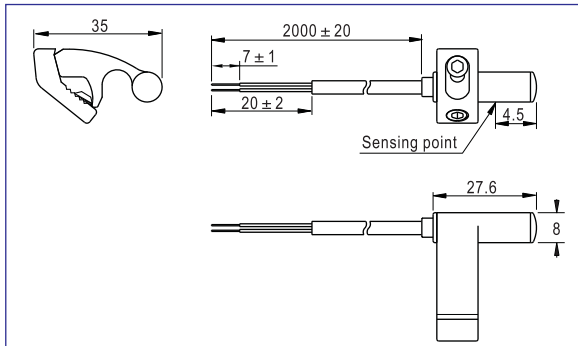
DS1-A Series



Specification

Item\Type	DS1-A	DS1-AN	DS1-AP
Switch logic	Transistor without contact, Normally opened type		
Switch type	Two lines type	NPN type	PNP type
Operating voltage(V)	10~28V DC	5~30V DC	
Max. Switching current(mA)	50	200	
Switching rating(W)	Max. 1.4	Max. 6	
Current consumption	12(40)uA Max. @24V	15mA Max. @24V	
Voltage drop	2.65V Max. @50mA DC	0.5V Max. @200mA DC	
Cable	Φ 3.3,2C Black oil resistant PVC	Φ 3.3,3C Black oil resistant PVC	
Indicator	Red LED		
Leakage current	20(90)uA Max. @28V	0.01mA Max.	
Sensitivity(Gauss)	25~700	60~75	
Max. Frequency(Hz)	1000		
Shock(m/s ²)	500		
Vibration(m/s ²)	90		
Temperature range(°C)	-10~70		
Enclosure classification	IP67(NEMA6)		
Protection circuit	Power reverse polarity, surge suppression		

Dimensions



Ordering code

DS1 A N 020

- Number of sensor switch
 - DS1: Sensor switch
- Specification of sensor switch

Specification	Product Series
A: A type	Use for SC series
- Connecting way ^①

C08: M8 quick joint, length of wire is 150mm
C12: M12 quick joint, length of wire is 150mm
020: length of wire is 2m
030: length of wire is 3m
050: length of wire is 5m
100: length of wire is 10m
- Model of sensor switch

Blank: two-line /normally opened
N: three-line NPN with no contact (current flows in)/ normally opened
P: three-line PNP with no contact (current flows out)/ normally opened

① Note: The quick joint that is attached at the end of wire is three-needle-male joint-linear-rotary screw thread type. The female joint plug has to be ordered additionally. Please refer to P420 for the specific data.

Mounting

Installation example	Installation method
	<p>No additional accessories are necessary for the sensor switch of DS1-A (N, P) series. It can be directly fixed onto the cylinder, which is convenient and fast.</p> <ol style="list-style-type: none"> Loosen the connecting screw and clamping screw and adjust the open angle of the collet. Push the button of sensor switch to the bar and adjust it to the proper position. Finally properly tighten the clamping screw to fix.



Sensor switch